

Industrial Vibrating Screening & Sieving machine

DINGCOMA

Dingcoma Machinery

Web: www.dingcoma.com

The Company

Dingcoma Corporation with almost 30 years of nonstop innovation and professional separating technology and experience, Dingcoma machinery is a sieving solution provider that has improving customers' product quality and production efficiency by manufacturing and supplying high quality separator and filter.

We have R&D Production Department ,Quality Control Department, and Sales & Service Department. Our products are widely used in food-beverage, pharmaceuticals, coatings, metal powders, construction, chemicals, mining & minerals, ceramics, flour and so on. Our products have got CE and ISO certificate.



VIBRATORY SIEVING MACHINE

Sieving Diameter

Ø 600mm – 2000mm

Screens Layer

Up to 5 screens layer

Motor Power

0.18Kw-2.2Kw

Industrial sectors

All industrial sectors

Applications

Powder Liquid and Solid Separations



TECHNICAL DESCRIPTION

The vibration is develop in both the horizontal and in the vertical plane and can be adjusted in both directions

Vibration is accomplished by eccentric weights positioned on fly wheels on the upper and lower ends of the motion generator shaft.

The upper fly wheel creates vibration in the horizontal plane, which moves the material from the center to the outer perimeter of the screen. The lower fly wheel creates vibration in the vertical as well as tangential plane producing a highly efficient sieving action.

Adjusting the counterweights on the fly wheel is rapid and tool free. This adjustment allows modifying the vibration pattern to find the best sieving action for a particular product.

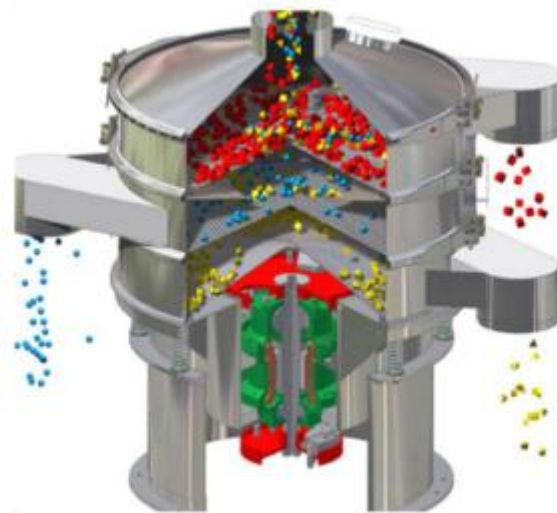
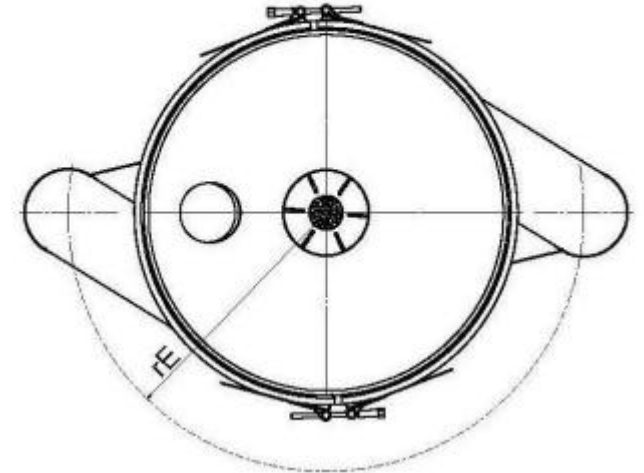
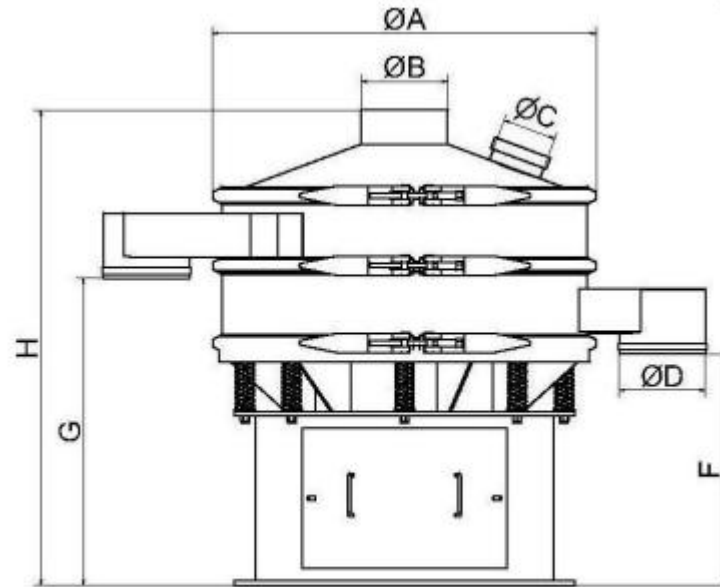
The vibratory sieves can be modified and adapted to suit a wide variety of customer requirements.

Screens are easy and fast to change and can be equipped with various cleaning system as balls, and ultrasonic system.

Ease of operation Quick Release Clamping - Pull down clamping the system.

The separator is available constructed of carbon steel, stainless steel 304 or stainless steel 316.

Certificate:CE certification ,ISO certification and GMP avaiable



MOD	A	B	C	D	E	F	H	I
Ø600	530	430	246	600	100	70	391	415
Ø800	680	580	246	800	125	80	514	430
Ø1000	800	700	246	1000	150	95	615	430
Ø1200	975	855	400	1200	180	100	717	550
Ø1500	1190	1050	400	1500	180	116	866	545
Ø1800	1580	1440	400	1800	200	150	1070	675
Ø2000	1800	1640	400	2000	200	190	1210	685

TUMBLER VIBRATING SCREENING

Sieving Diameter

Ø 600mm – 2600mm

Screens Layer

Up to 5 screens layer

Motor Power

0.18Kw-2.2Kw

Industrial sectors

All industrial sectors

Applications

Powder Liquid and Solid Separations



TECHNICAL DESCRIPTION

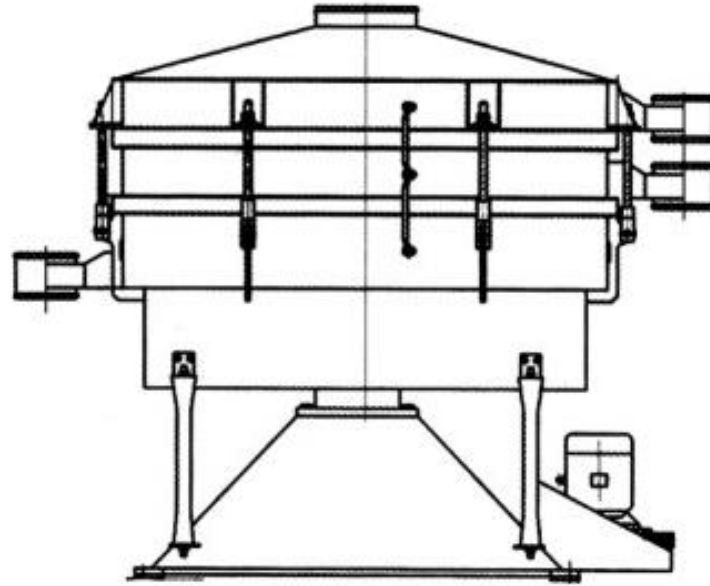
Dingcoma tumbler screening separator is used for control screening, fractionating and dust removal in dry, powdered and granular products. The tumbler screening machine has a three dimensional movement similar to the simple hand screening of the "gold washing pan". This tumbling action yields better efficiency and a higher specific screen load as compared to vibration systems.

The tumbler screening is used in all sectors of application and has stable screen motion even under full load. The tumbler screening is particularly suitable for high feed rates and multi deck separations of fine, lightweight products which are difficult to screen. The tumbling movements easy regulation and adjustment with low frequency vibrations guarantee the following advantages:

- Ensure the integrity of particles and avoid damage
- Delicate design and unique structure improves the service life and reduces the working and maintenance cost.
- Big capacity, high efficiency, screening precision can be up to above 99%.
- Totally enclosed structure prevents the dust pollution.
- Screen surface can be equipped with screen cleaning device which can solve the screen blocking.
- Easy installation and maintenance, low power consumption and noise.
- Adopt pneumatic device, The screens are easily and quickly changed. The screens can be equipped with various cleaning system as: rubber balls, rotating plastic roller brush and the innovative ultrasonic cleaning system.

The tumbler screening can be specified with carbon steel, stainless steel 304 or stainless steel 316 construction.

Certificate: CE certification, ISO certification and GMP can be available



USING SITE

MOD	Dia	Area	Layer	Power	S Re	Inclination
Ø600	Ø600	0.29	1-5	0.25	0.4	0-10°
Ø1000	Ø1000	0.71	1-5	1.5	1.2	0-10°
Ø1200	Ø1200	1.11	1-5	2.2	1.6	0-10°
Ø1600	Ø1600	1.83	1-5	2.2	2.5	0-10°
Ø2000	Ø2000	2.62	1-5	2.2	3.6	0-10°
Ø2400	Ø2400	3.63	1-5	5.5	5.2	0-10°
Ø2600	Ø2600	5.31	1-5	5.5	6.8	0-10°

GYRATORY VIBRATING SCREENING

Sieving Diameter

Ø 600mm – 2600mm

Screens Layer

Up to 2 screens layer

Motor Power

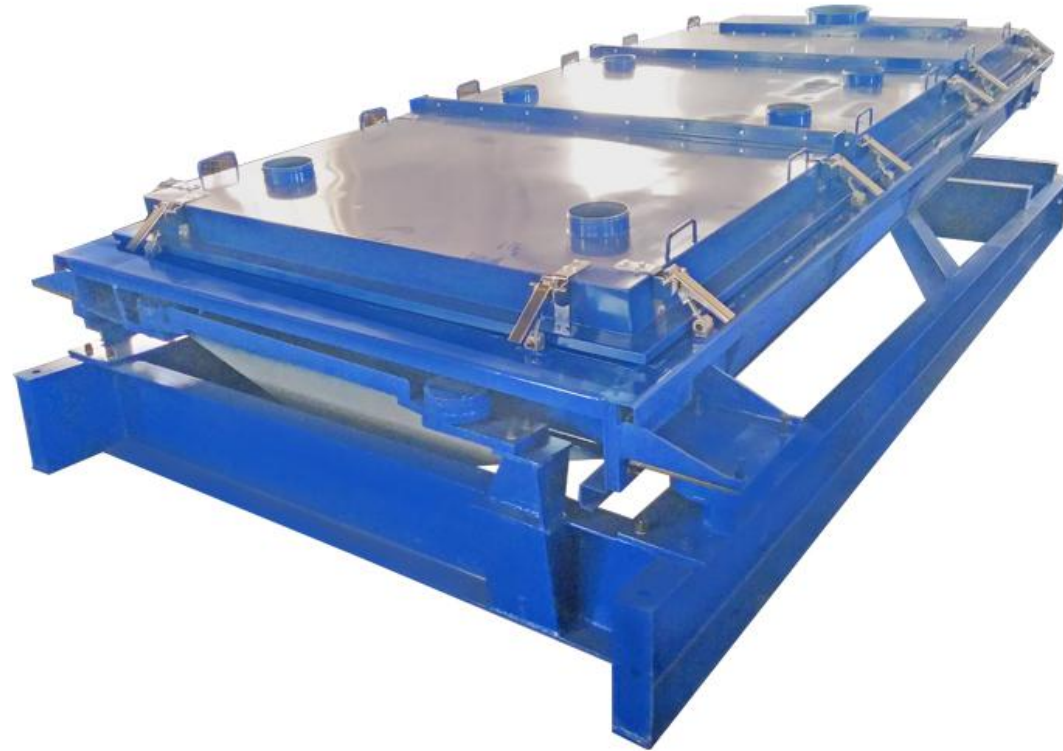
0.4Kw-4Kw

Industrial sectors

All industrial sectors

Applications

Powder Liquid and Solid Separations



TECHNICAL DESCRIPTION

Gyratory screen is designed to provide precise and accurate sieving of material

Gyratory screen adopts eccentric mechanism which drives the material on the screen surface do uniform gyratory reciprocating swing motion,the materials are spread and stratified on the full screen surface, then the gyratory reciprocating motion gradually changes to an elliptical motion at the centre which is good for material sieving,a straight-line motion at the discharge end,the material movement track becomes short and then materials flow out of the outlet.

Unlike other methods, gyratory screen operates in a gentler manner and is more suited to handle fragile things, enabling it to produce finer products.

- Full utilization of screen surface- Gyratory reciprocating motion ensures material constantly contact with screen surface.

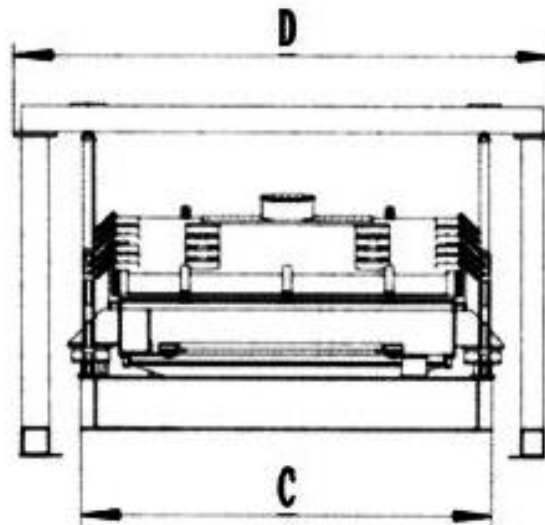
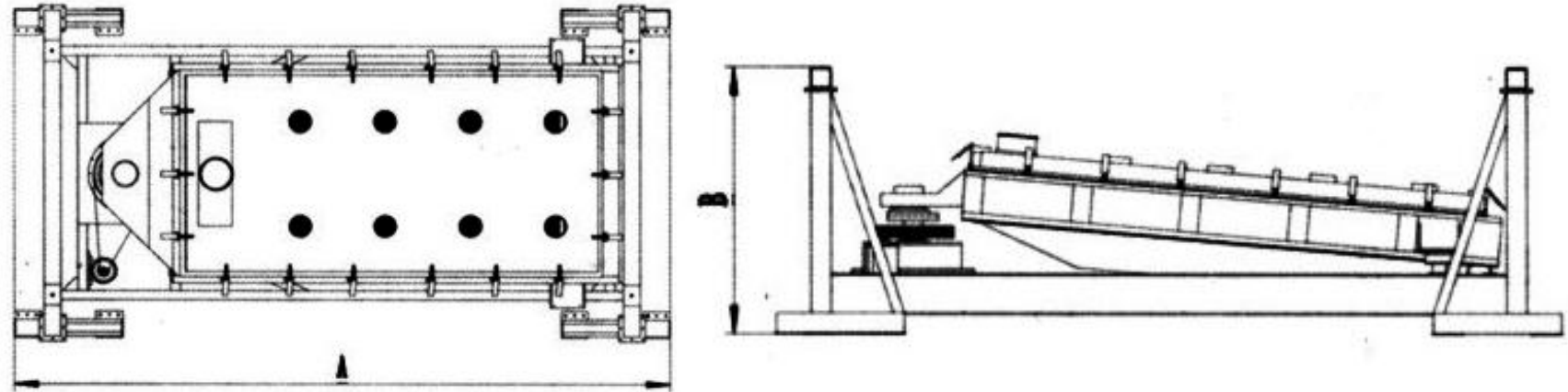
- Automatic cleaning- Bouncing balls keep screen openings clean and maintain efficiency and capacity.

- Gyratory screen Longevity life and Durability,Good efficiency and quality of aeparation.

- Easily maintained easy installation and maintenance, convenient and quick screen replacement.

The separator is avaiable constructed of carbon steel, stainless steel 304 or stainless steel 316.

Certificate:CE certification ,ISO certification and GMP can be provided.



MOD	600	800	1000	1300	1500	1600
L*W	1200*500	1500*800	3000*1000	2500*1300	3000*1500	3200*1600
Layers	1-2	1-2	1-2	1-2	1-2	1-2
Radius	30	30	30	32	35	35
Power	0.4	1.5	2.2	3	3	4
Capacity	1-3	3-8	8-12	12-18	18-25	25-30

DIRECT DISCHARGE SIEVING MACHINE

Sieving Diameter

Ø 400mm – 2000mm

Screens Layer

1 screens layer

Motor Power

0.18Kw-2.2Kw

Industrial sectors

All industrial sectors

Applications

Powder Liquid and Solid Separations



TECHNICAL DESCRIPTION

Direct discharge vibrating screen is the two models of the same vibration motor mounted symmetrically on both sides of the screening machine , the vibration motor and lower ends are equipped with eccentric weights , generated during rotation of the horizontal, vertical , inclined three-dimensional movement

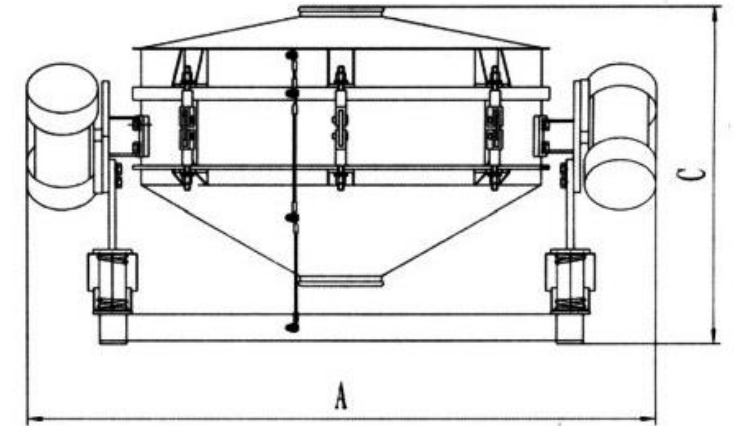
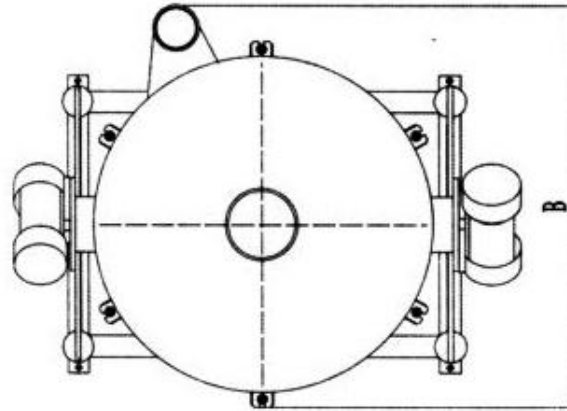
Adjusting the material in the sieve the surface of the movement trajectory to reach the purpose of screening a variety of materials .

Direct discharge vibrating screen is a separating machine with high precision for fine powder or granular.

- Fully enclosed structure,eliminate dust,noise , quiet and environmentally friendly.
- Processing capacity,high screening accuracy, and can effectively save energy
- The large flow spout at the bottom,to facilitate the installation of the pipeline operations.
- High performance,low noise,fully enclosed structure, no dust, good continuous separation of powder materials to meet a variety of needs
- Fits into smaller spaces,can fit easily into existing installations and areas of limited headroom

The separator is available constructed of carbon steel, stainless steel 304 or stainless steel 316.

Certificate:CE certification ,ISO certification and GMP available



MOD	800	1000	1200	1500	1800
Dia	720	890	1090	1390	1750
Area	0.56	0.71	1.11	1.83	2.62
Powder	0.55	0.75	1.1	1.5	2.2
L*W*H	1010×800 ×600	1200×970 ×640	1430×1200 ×700	1780×1470 ×760	2060×1770 ×760

VIBRATORY SIEVING SHAKER

Sieving Diameter

Ø 200mm – 300mm

Screens Layer

Up to 8 screens layer

Noise

≤50dB

Industrial sectors

All industrial sectors

Applications

Powder Liquid and Solid Separations



TECHNICAL DESCRIPTION

This Vibratory sieve shakers produces principle a 3D throwing motion that moves the product to be sieved equally over the whole sieving surface.to achieve the screening effect

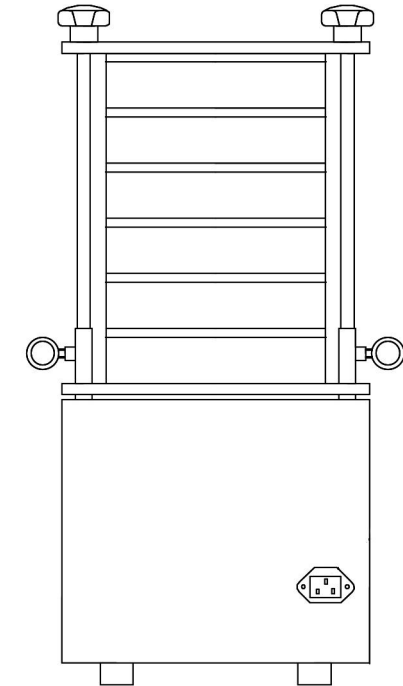
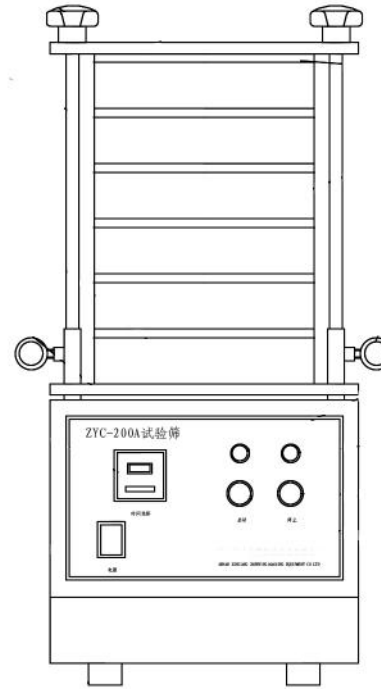
Vibratory sieve shaker mainly applied in lab, quality controlling room to precise analysis of granularity structure for granules and powders.

Vibratory sieve shaker is the economical alternative of the series with familiar quality and reliability

- Suitable for dry and wet sieving
- Low noise,High precision,Low consumption
- Make sure consistency of analysis data and minimize error
- Easy operation, ergonomic design.maintenance-free.

The separator is available constructed of carbon steel, stainless steel 304 or stainless steel 316.

Certificate:CE certification ,ISO certification and GMP available



MOD	Layers	Diameter	Granularity	Noise	Amplitude	Motor speed	Power
Φ200	1-8 layer	200 mm	0.038-3 mm	≤50 dB	≤5 mm	1420r/min	0.125Kw
Φ300	1-8 layer	300 mm	0.038-3 mm	≤50 dB	≤5 mm	1420r/min	0.125Kw

FILTER SIEVING MACHINE

Sieving Diameter

Ø 400mm – 2000mm

Screens Layer

Up to 5 screens layer

Motor Power

0.18Kw-2.2Kw

Industrial sectors

All industrial sectors

Applications

Powder Liquid and Solid Separations



TECHNICAL DESCRIPTION

The vibration is develop in both the horizontal and in the vertical plane and can be adjusted in both directions

Vibration is accomplished by eccentric weights positioned on fly wheels on the upper and lower ends of the motion generator shaft.

The upper fly wheel creates vibration in the horizontal plane, which moves the material from the center to the outer perimeter of the screen. The lower fly wheel creates vibration in the vertical as well as tangential plane producing a highly efficient sieving action.

Adjusting the counterweights on the fly wheel is rapid and tool free. This adjustment allows modifying the vibration pattern to find the best sieving action for a particular product.

The vibratory sieves can be modified and adapted to suit a wide variety of customer requirements.

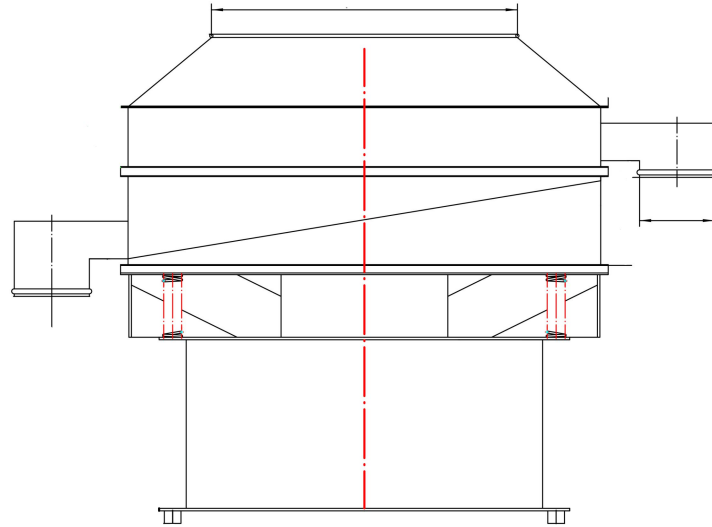
- Increase feed port size,suitable for screening any kinds of the powder and viscous fluid.

- It only takes 3~5 MINS to replace and clean the net conveniently

- Ease of operation Quick Release Clamping - Pull down clamping the system.

The separator is avaiable constructed of carbon steel, stainless steel 304 or stainless steel 316.

Certificate:CE certification ,ISO certification and GMP avaiable



MOD	Power	Dia	L×W×H	Layer
Φ400	0.18	320	580×580×660	1
Φ600	0.55	550	800×800×780	1
Φ800	0.75	750	900×900×930	1
Φ1000	1.5	950	1160×1160×1030	1
Φ1200	1.75	1150	1360×1360×1160	1
Φ1500	2.2	1450	1850×1850×1330	1
Φ1800	2.2	1750	2200×2200×1460	1

ULTRASONIC SIEVING MACHINE

Sieving Diameter

Ø 400mm – 2000mm

Screens Layer

Up to 5 screens layer

Motor Power

0.18Kw-2.2Kw

Industrial sectors

All industrial sectors

Applications

Powder Liquid and Solid Separations



TECHNICAL DESCRIPTION

Ultrasonic vibrating sieve consists of ultrasonic producer and vibrating screen

Ultrasonic Screen System is designed using an ultrasonic transducer attached to a frame or ring, the frame consists of a generator and transducer. The frame delivers a high frequency vibration.

Ultrasonic vibration that excites the screen and effectively eliminates blinding of materials on the screen deck. to prevent blinding and blocking of mesh and maintain consistent flow rates

- Adopt ultrasonic screen system, suitable for screening ultrafine powder

- Easy to use and maintain, Reduced costs, Long working life, Rugged construction

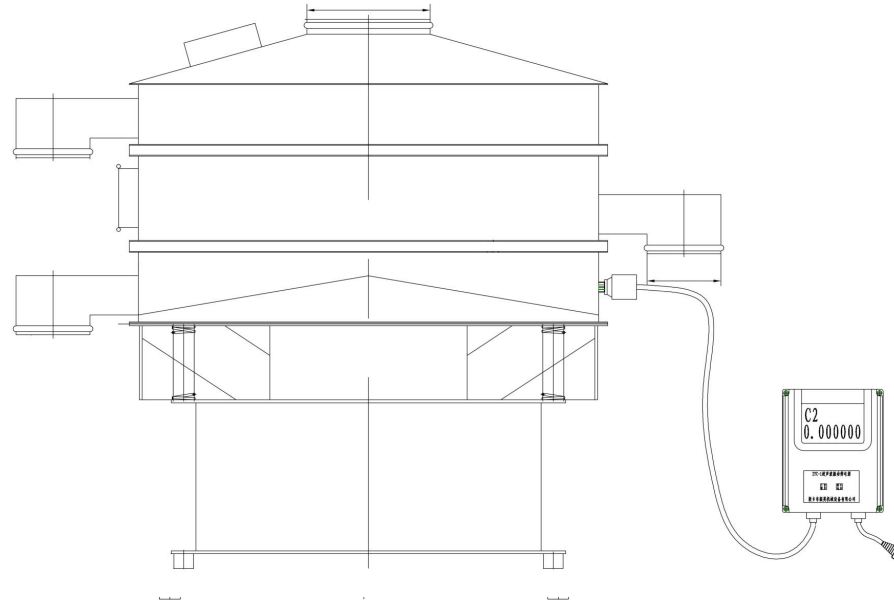
- Screening precision can raise to 1~100%, the output can be raised to 0.5~10 times.

- Can solve sieving difficulties such as high adsorption, easy clustering, high static, high precision, high density, light proportion, etc.

Ultrasonic Screen System: Autonomous design System and Artech Ultrasonic Sieve System

The separator is available constructed of carbon steel, stainless steel 304 or stainless steel 316.

Certificate: CE certification , ISO certification and GMP available



MOD	Power	Dia	L×W×H	Layer
Φ400	0.18	320	580×580×660	1
Φ600	0.55	550	800×800×780	1
Φ800	0.75	750	900×900×930	1
Φ1000	1.5	950	1160×1160×1030	1
Φ1200	1.75	1150	1360×1360×1160	1
Φ1500	2.2	1450	1850×1850×1330	1
Φ1800	2.2	1750	2200×2200×1460	1

RECTANGULAR VIBRATING SIEVE

Sieving Diameter

On request

Screens Layer

Up to 6 screens layer

Vibrating Motor

1 or 2 vibrating motor

Industrial sectors

All industrial sectors

Applications

Powder Liquid and Solid Separations



TECHNICAL DESCRIPTION

RECTANGULAR VIBRATING SIEVE adopt vibrating motor excitation as the vibration source, Two vibration motors installed on the equipment which work in simultaneously (Vibration develop in the horizontal and in the vertical plane).

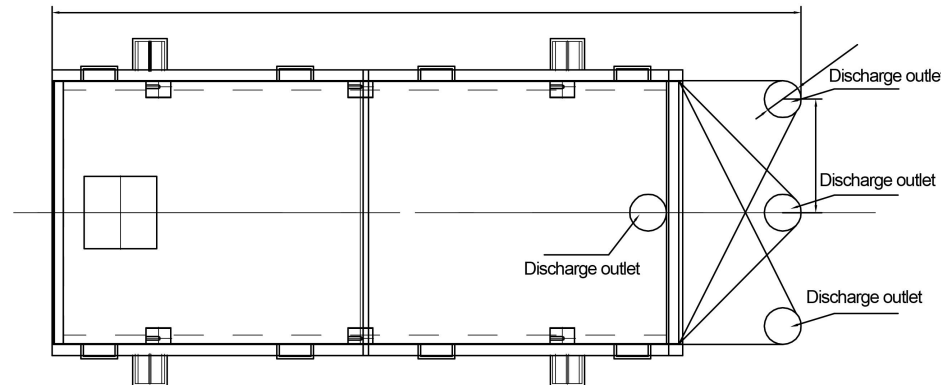
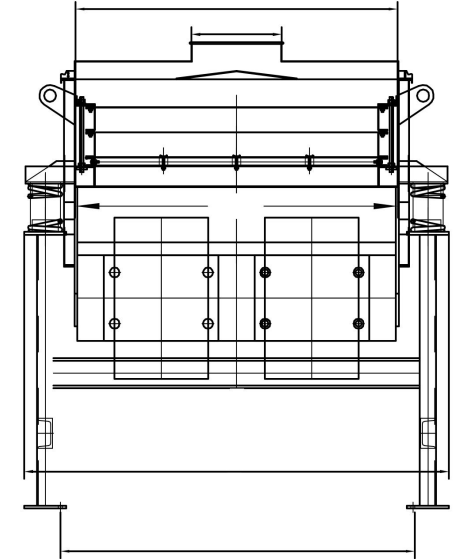
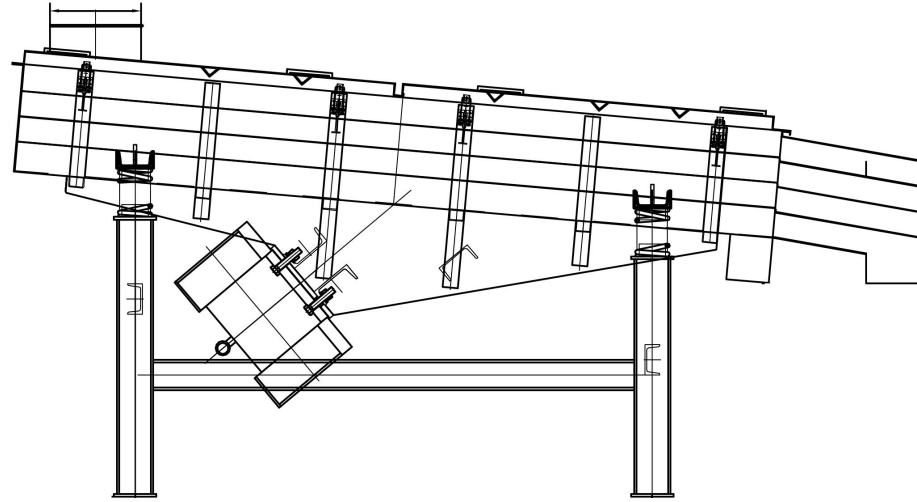
The vibrating motor design allows to adjust easily the counterweight and modify the vibration to find the best way to sieve a product.

- High screening precision and large processing capacity.
- Full closed structure, no dust flying
- Bouncing balls set under the screen which eliminates mesh blockage, increasing precision of sieving, low energy consumption
- Excellent steel plates, and the overall rigidity is good, firm and reliable for very long time.

Vibrating screen type : Inclined Vibrating Screens, Motion Vibrating Screens, Horizontal Vibrating Screen, Dewatering Vibrating Screens, Linear Vibrating Screen.

The separator is available constructed of carbon steel, stainless steel 304 or stainless steel 316.

Certificate: CE certification, ISO certification and GMP available



MOD	Dimension (mm)	Particle Size (mm)	Layer	Power (Kw)
DCZ0520	500*2500	0.06-15	1-6	2* (0.4-0.75)
DCZ1020	1000*2000	0.07-20	1-6	2* (0.75-1.5)
DCZ1025	1000*2500	0.07-15	1-6	2* (0.4-0.75)
DCZ0830	800*3000	0.1-20	1-6	2* (0.75-1.5)
DCZ1030	1000*3000	0.1-20	1-6	2* (0.75-1.5)
DCZ1024	1000*2400	0.1-23	1-3	2* (0.75-1.5)
DCZ1230	1200*3000	0.1-23	1-3	2*1.5